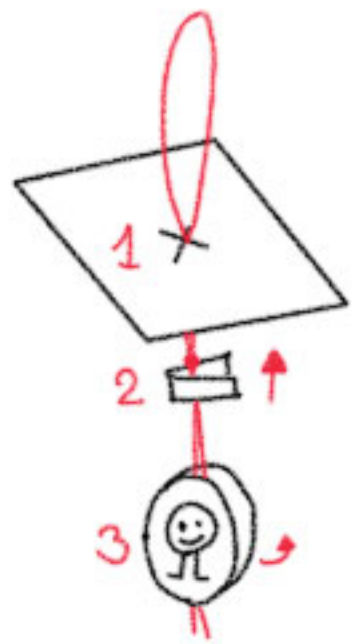
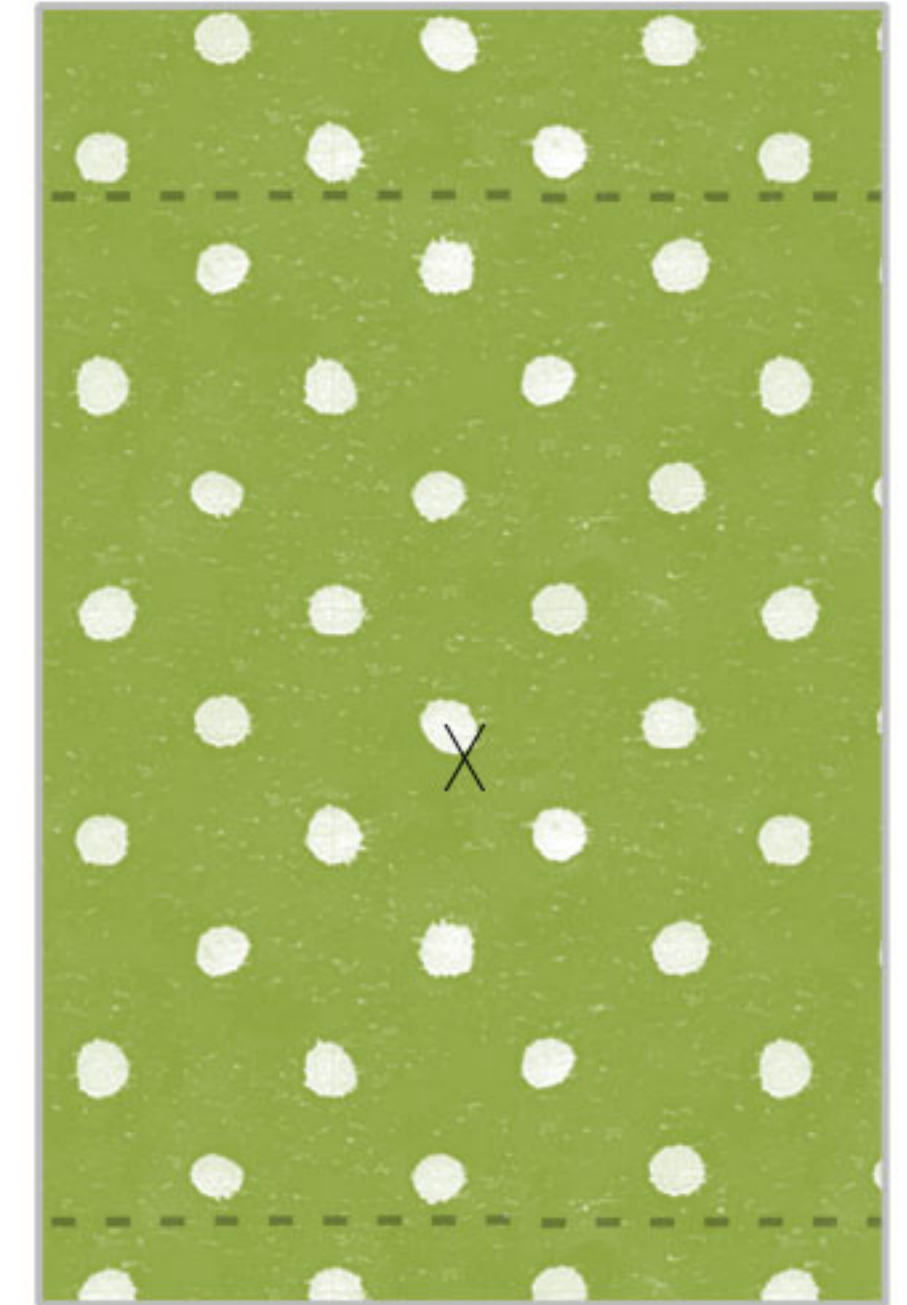
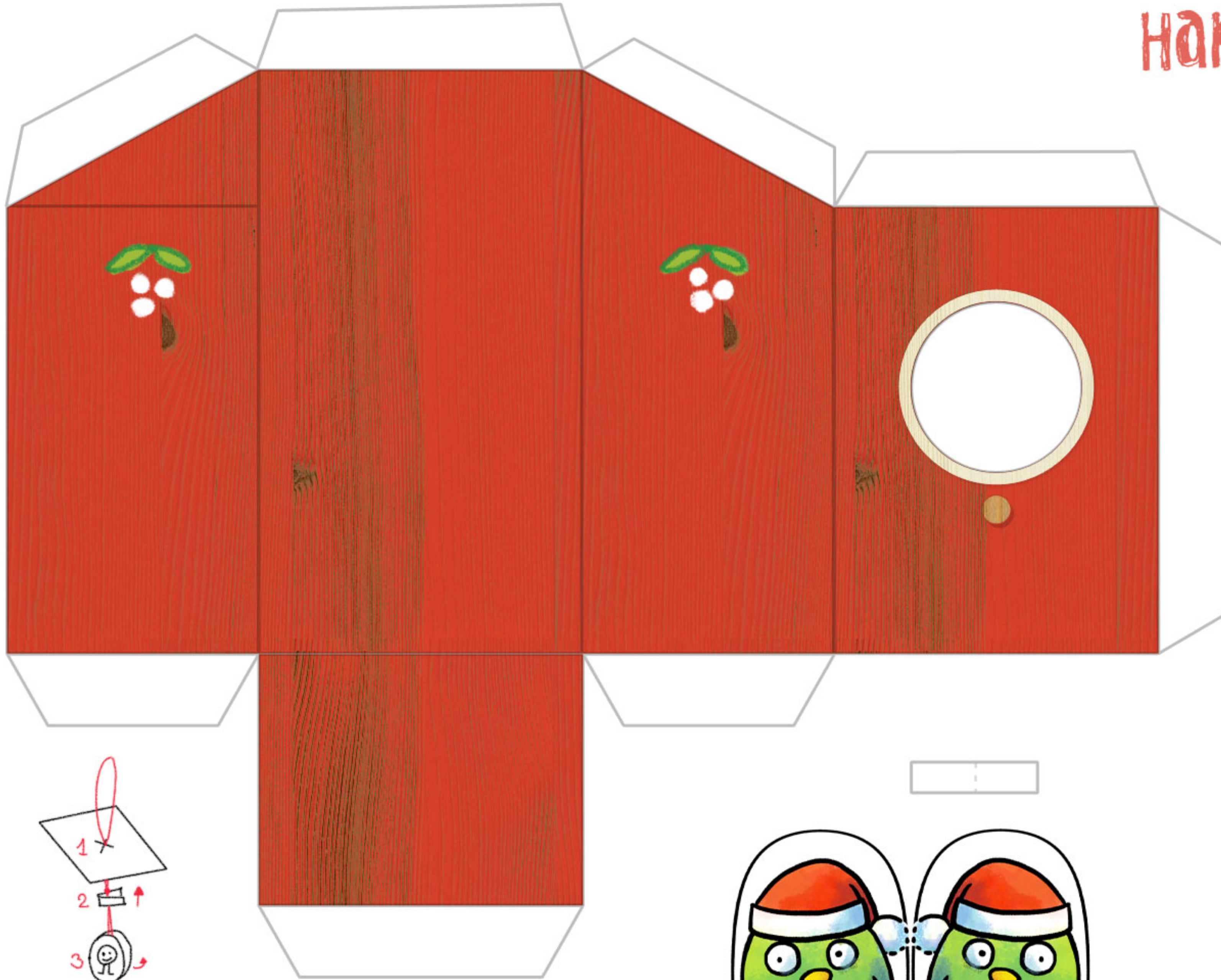


DEL4YO'S Birdhouse Ornament

HAPPY HOLIDAYS!



Cut out all the pieces.

Cut out the X in the roof. Insert a piece of string in the roof.

Make a knot and glue a small folded piece of paper over the knot.

Give the character an inch under the knot. Fold and glue the house, add the roof, Hang. Gush.

For personal use only:
Please don't repost, sell, copy, redistribute
or use in published projects without
my authorization:
del4yo@yahoo.fr